

HanleyLED RGB CONTROLLER

RGB Controls Remote and Receiver

Specifications

SKU.....HLED-RGBCNTRL

Warranty.....5-Year Product

Receiver

Model.....M3-3A

Power input.....12 ~ 24 VDC

Max. current load.....3A x 3CH

Max. output power.....180 W (12V) / 216 W (24V)

Operating temp.....-30° C to +55° C

Weight.....47 g

Total weight (G.W.).....135 g

Remote

Model.....M7

Working voltage.....3V (battery CR2032)

Working frequency.....433.92 MHz

Remote distance.....30 m

Operating temp.....-30° C to +55° C

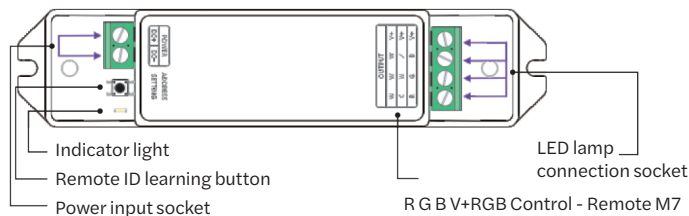
Weight (N.W.).....42 g



Attention

- This product is non-waterproof. Please avoid sun and rain. When installed outdoors, ensure it is mounted in a water proof enclosure.
- Good heat dissipation will prolong working life of the controller. Please ensure adequate ventilation with each installation.

Operating Instructions for Receiver



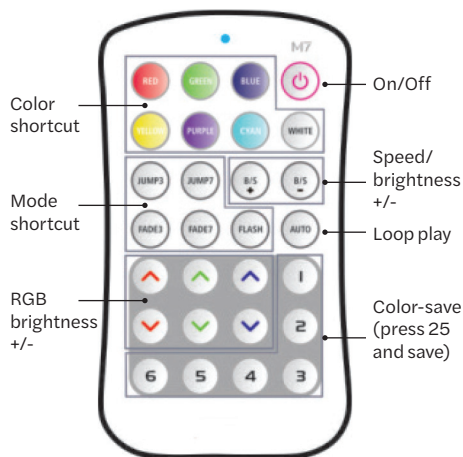
Features

- RF remote is slim, light, and easy to carry while receiver is small and easy to install
- High grayscale performance
- One receiver has the capability to dim, change color temperature, and control RGB
- Remote can automatically enter standby mode to extend battery life (automatic sleep mode after 30 seconds)
- Remote can be used up to 90 ft away from the receiver
- HanleyLED recommends underloading by 5%

Remote Control Operating Instruction

Top Section

To customize the "Jump" feature or the "Fade" feature, use the (+) or (-) buttons to increase or decrease the "Jump" or "Fade". This automatically saves after you choose the desired speed of your selected feature.



Color Changing Modes

1. Static Red
2. Static Green
3. Static Blue
4. Static Yellow
5. Static Purple
6. Static Cyan
7. Static White
8. RGB Skipping
9. 7 Colors Skipping
10. RGB Smooth
11. Full-color Smooth

Bottom Section

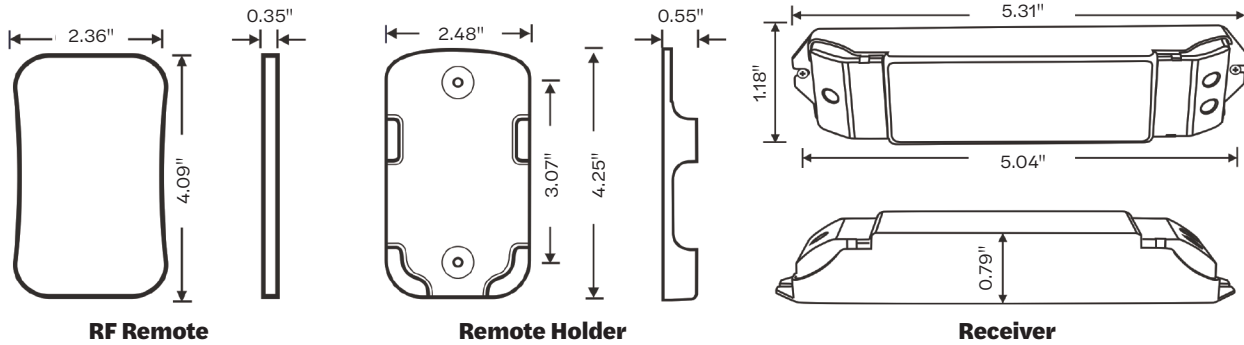
This portion is to save solid colors. Use the arrows to formulate the exact color you want. Once you have the desired color, simply hold down a number to save that color for future use. You can save up to six (6) custom solid colors.

HanleyLED

RGB CONTROLLER

RGB Controls Remote and Receiver

Dimensions



Wiring Diagram



Troubleshooting

The remote control has been matched to the receiver before leaving the factory. If the connection is accidentally deleted, you can pair your devices by following the simple steps below.

LEARNING ID: Short press the ID learning button on the receiver until the running light is on. Then press any key on the controller. The running light flashes several times when activated.

CANCEL ID: Long press the ID learning button on the receiver for 5 seconds.

Application of RGB Modules



principalsloan.com
325.227.4577
3490 Venture Dr., San Angelo, TX 76905

© 2024 Principal Industries Rev A 2024-01-19

Specifications subject to change without notice.

