

HanleyLED PEREGRINE RGB

12V LED channel letter illumination

12 VDC



Specifications

SKU.....HLED-RGB2072

Type.....RGB color changing module

Beam angle.....170°

Power (W).....0.72 W/mod (1.08 W/ft)

Modules/ft.....1.5/ft (fully-stretched)

Lumens.....Red (620-625 nm)5 lm/mod (7.4 lm/ft)
 Green (520-525 nm)....14 lm/mod (21 lm/ft)
 Blue (470-475 nm)3 lm/mod (4.5 lm/ft)
 All (White).....21 lm/mod (31.5 lm/ft)

Environment.....IP65

Operating temp.....-40° C to +60° C

Storage temp.....-40° C to +70° C

Cascade.....25 mods single-ended power feed
 50 mods double-ended power feed

Packaging.....Anti-static bag, 75 modules (50 ft)/bag

Warranty.....5-Year Product/5-Year Limited Labor

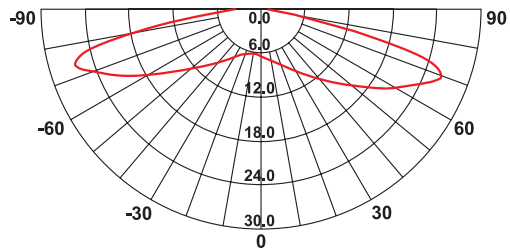
Strobe, flash, fade, cycle and more

As low as 3" from sign face



Ideal for shallow, deep and halo channel letter lighting

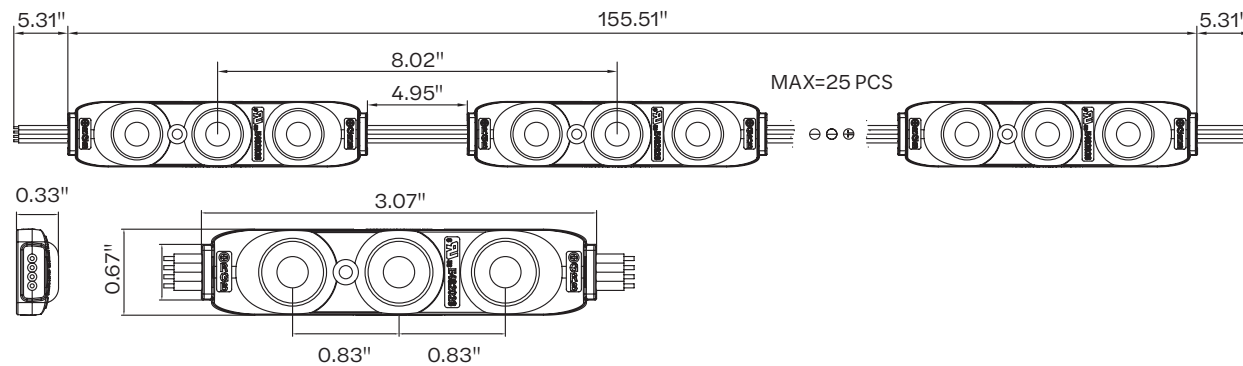
Light Distribution



Power Supply Options

Product	35 W	60 W	100 W	120 W	150 W	180 W	240 W
Peregrine RGB	48 mods	83 mods	138 mods	166 mods	207 mods	249 mods	332 mods

Dimensions



principalsloan.com
 325.227.4577
 3490 Venture Dr., San Angelo, TX 76905

