

HanleyLED  
**PEREGRINE**  
 12V LED channel letter illumination

**12**  
**VDC**



*Ideal for shallow,  
 deep, and halo  
 channel letter  
 lighting*



**As low as 2.5"**  
**from sign face**

**Specifications**

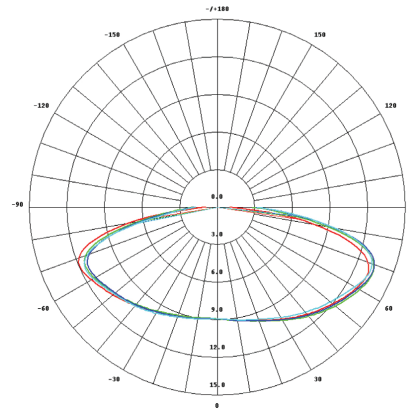
- Beam angle ..... 160°
- Power (W)..... 0.72 W/mod (1.44 W/ft)
- Modules/ft ..... 2/ft (fully-stretched)
- Environment ..... IP65
- Operating temp. .... -40° C to +60° C
- Storage temp. .... -40° C to +70° C
- Cascade ..... 50 mods single-ended power feed  
 100 mods double-ended power feed
- Packaging ..... Anti-static bag, 100 modules (50 ft)/bag
- Warranty ..... 5-Year Product/5-Year Limited Labor



**Product Options**

SKU	CCT/Color	Lumens
HLED-P2072WCOOL	9500 ~ 11000 K	70 lm/mod (140 lm/ft)
HLED-P2072W	7000 K	
HLED-P2072WWARM	3000 ~ 3300 K	7 lm/mod (14 lm/ft)
HLED-P2072B	4650 ~ 4700 K	
HLED-P2072G	5250 ~ 5300 K	37 lm/mod (74 lm/ft)
HLED-P2072Y	5850 ~ 5900 K	13 lm/mod (26 lm/ft)
HLED-P2072R	6200 ~ 6250 K	

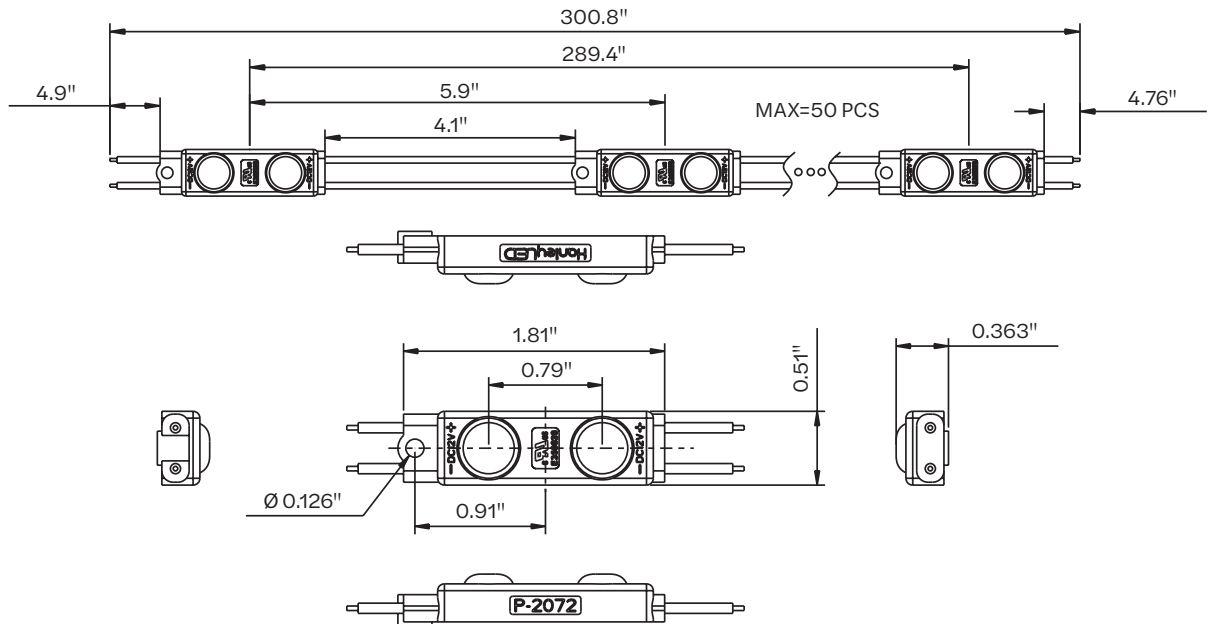
**Light Distribution**



**Power Supply Options**

Product	35 W	60 W	100 W	150 W
Peregrine	48 mods	83 mods	138 mods	208 mods

**Dimensions**



principalsloan.com  
 325.227.4577  
 3490 Venture Dr., San Angelo, TX 76905

