

HanleyLED

EFFICIENT 60 W, 24 VDC POWER SUPPLY



Efficient Series

Specifications

SKU H60W-PPSE24V
Warranty 5-year product/1-year limited labor

Performance

Input voltage 100~277 VAC
Input current ≤ 1.3 A / 120 VAC
Input frequency 50~60 Hz
Power input 1.5 A max.
Output voltage DC 24V $\pm 5\%$
Output current 2.5 A
Output power 60 W

Safety

Protective characteristics Over-current/short-circuit/
over-voltage/over-temperature
Safety rating IP68, Class 2
Dielectric Strength (Hi-Pot) I/P-O/P 3KVac/5mA/1min
I/P-Case 1.5KVac/5mA/1min
Insulation Resistance 100MOhm Max/500Vdc/1min
Grounding Resistance ≤ 5 mOhm
EMC FCC part 15 class B



Budget friendly 100-277V LED driver solution

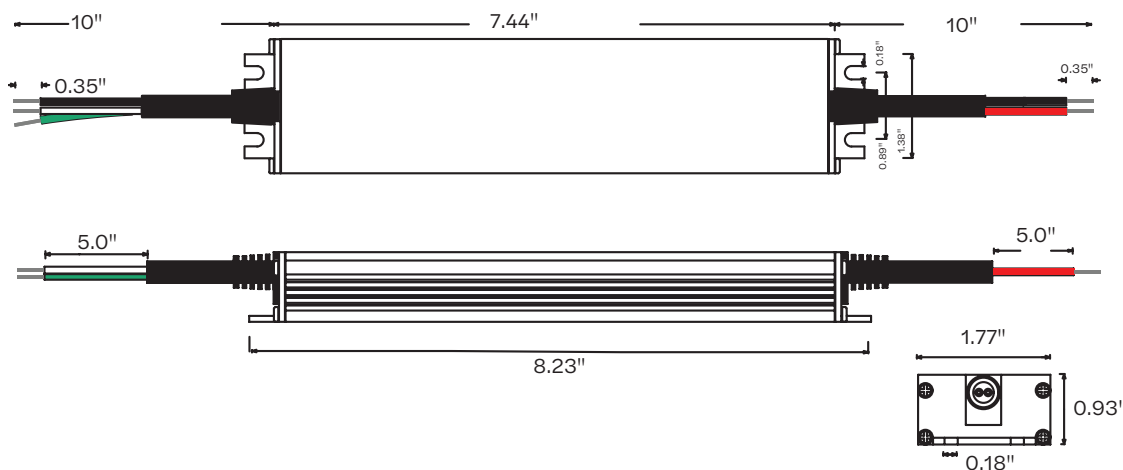


UL Retrofit Kit Classified

Environmental

Operating temperature $-30^{\circ}\sim +60^{\circ}$ C
Storage temperature $-35^{\circ}\sim +65^{\circ}$ C
Relative humidity 10~95% RH, non-cond.
Vibration 10 ~ 500HZ, 1mm 15 minutes
(for X, Y, Z each axis)

Dimensions



Specifications subject to change without notice.



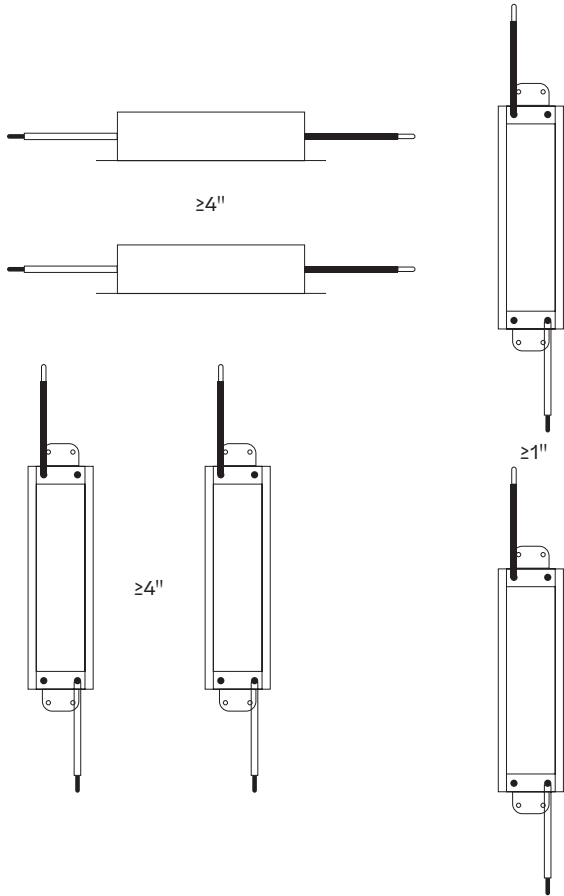
HanleyLED

EFFICIENT 60 W, 24 VDC POWER SUPPLY



Efficient Series

Spacing Between Power Supplies



- Ensure that the ground wire is properly grounded and ensure it does not come into contact with the neutral wire.
- Ensure the power supply position has sufficient airflow.
- Operating temperature must be between -30°C to $+60^{\circ}\text{C}$.
- Do not overload the power supply with multiple appliances.
- Power supply operates at high temperature.
To avoid injury, do not touch while in use.
- Do not install with power connected or during an electrical disturbance.
- Do not attempt to install by yourself.
Please contact the supplier with any questions.
- Please read and follow the instructions carefully before installing.
Ensure all contact points are in good working order.
- Please pay attention to the environment, and check for any unsafe conditions.

UL 48 Standard requires spacing between LED power supplies shall be at least 1 inch from end to end and 4 inches from side to side. This is to ensure adequate heat dissipation. Greater spacing may be required when heat ventilation in the sign or power supply enclosure is not adequate.



principalsloan.com

325.227.4577

3490 Venture Dr., San Angelo, TX 76905

© 2024 Principal Industries Rev A 2024-01-11

Specifications subject to change without notice.

