

# HanleyLED

## HanleyLED WS-3360 Spec Sheet

### Wingspan Series WS-3360










**LM79 LM80 L70:5+ YEARS**

### Specifications

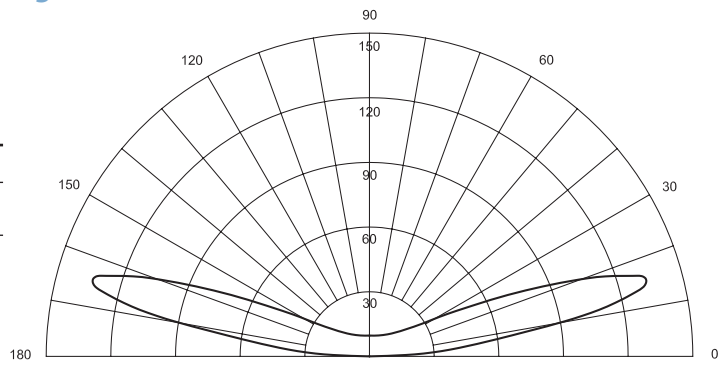
Viewing Angle	170°
Watts	3.6w/mod (3.06w/ft.)
Input Voltage	24vDC
Modules/Foot	0.85/ft. fully stretched
Protection Grade	IP65
Packaging	Anti-static bag, 25 mods (29.5ft)/bag
Warranty	7 Year (Product) / 5 Year (Labor)
Operating Temp.	-40 ~ +60 °C / -13 ~ +140 °F
Storage Temp.	-40 ~ +70 °C / -13 ~ +158 °F
Cascade	25 mods Single-ended Power Feed (pcs) 50 mods Double-ended Power Feed (pcs)

### Features

- Less labor, less product
- Cut your cabinet costs in half
- 24" centers at 8"-10" from sign face (may vary depending on sign face type)
- Ideal for cabinets & pylons
- Guaranteed life over 50,000 hours
- DIY Layout Tool at [hanleyledsolutions.com](http://hanleyledsolutions.com)  
(Available in English, Spanish, and French)

Color	Part#	Color Temp	Lumens
Pure White	HLED-WS3360W24	6500k	310 lm/mod (264 lm/ft.)
White	HLED-WS3360W245	5000k	310 lm/mod (264 lm/ft.)

### Light Distribution

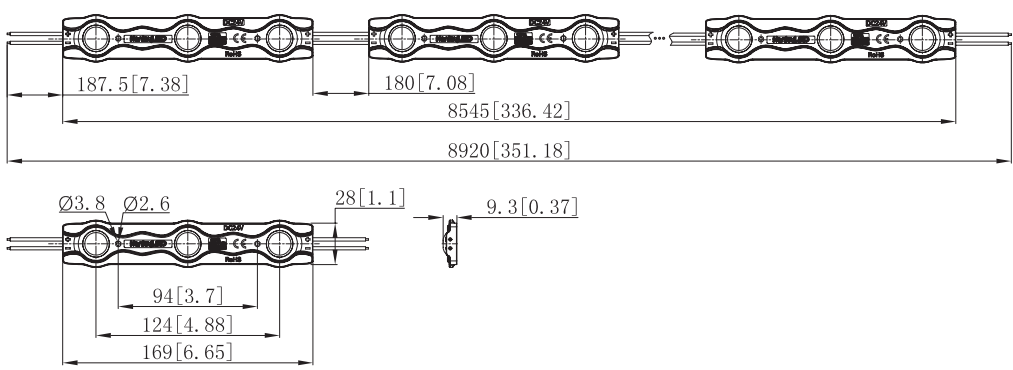


MODEL	MAX POWER SUPPLY LOAD				
	35W	60W	100W	150W	240W
WS-3360W	9 mods	16 mods	27 mods	40 mods	64mods

### Profile Drawings

Unit : mm [in]

MAX: 25 pcs



See page 2 for extrusion & accessories for EZ Install Kit

### Wingspan Extrusion HLED-WS8EXT (8' bar) | HLED-WS10EXT (10' bar)

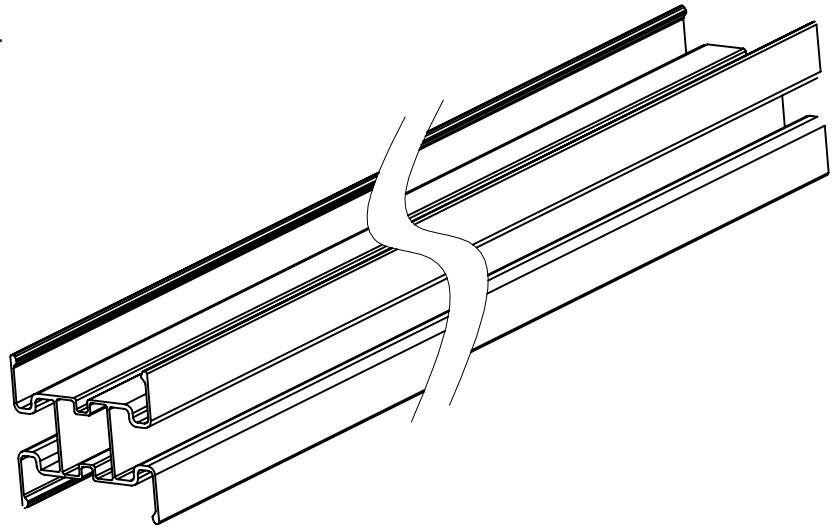
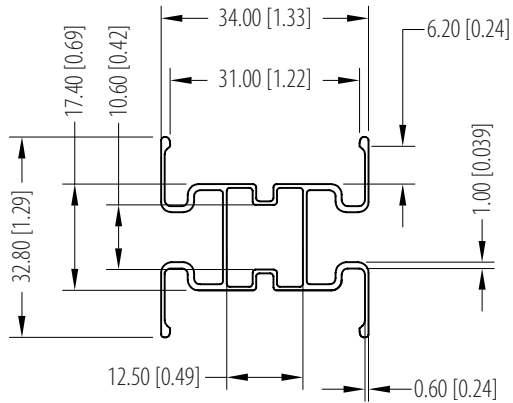
Extrusion for WS-3360

Easy, fast installation!

Can be used for 1 sided or 2 sided applications.

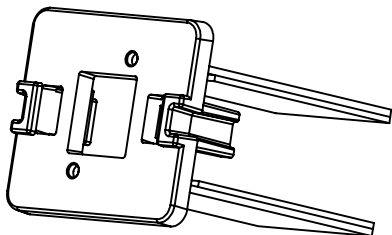
The below accessories are available for mounting into HO Lamp Sockets.

8' and 10' lengths available



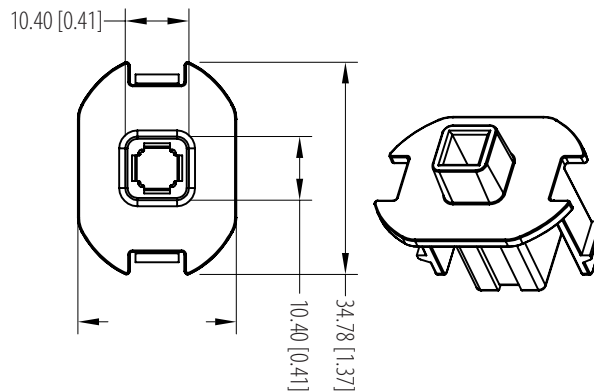
### Adapter HLB-WSEADP

Fits on ends of Wingspan extrusion to allow use of RF Connector or Joint Connector



### Retrofit Connector HLB-RFC

Optional end cap for mounting WS extrusion or Concorde into HO sockets for lamp replacement.



### Connector Joint HLB-CJC

For connecting multiple bars together.

