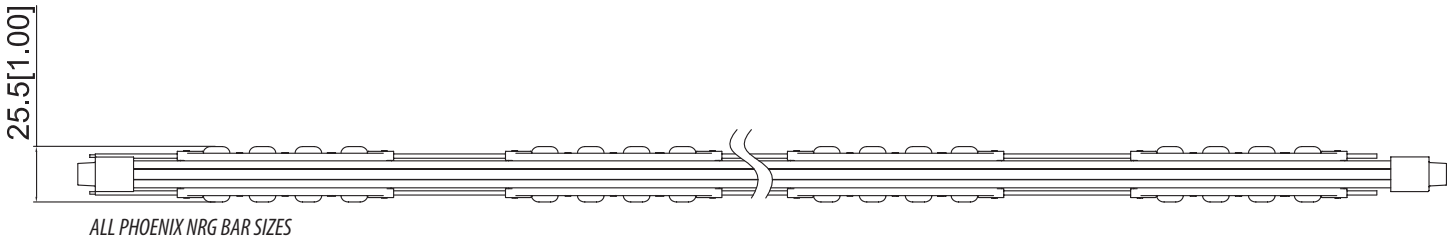
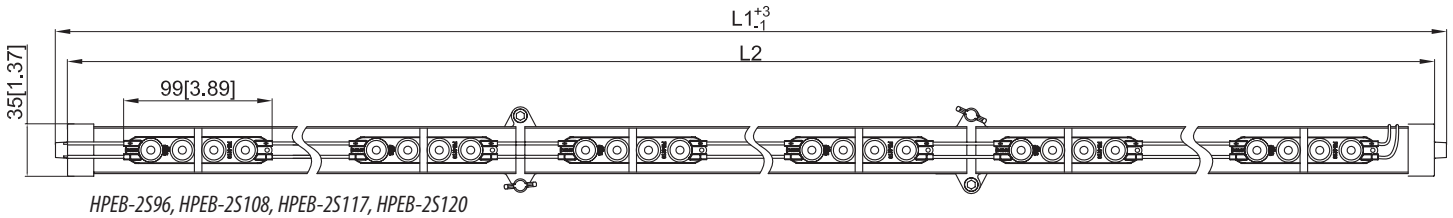
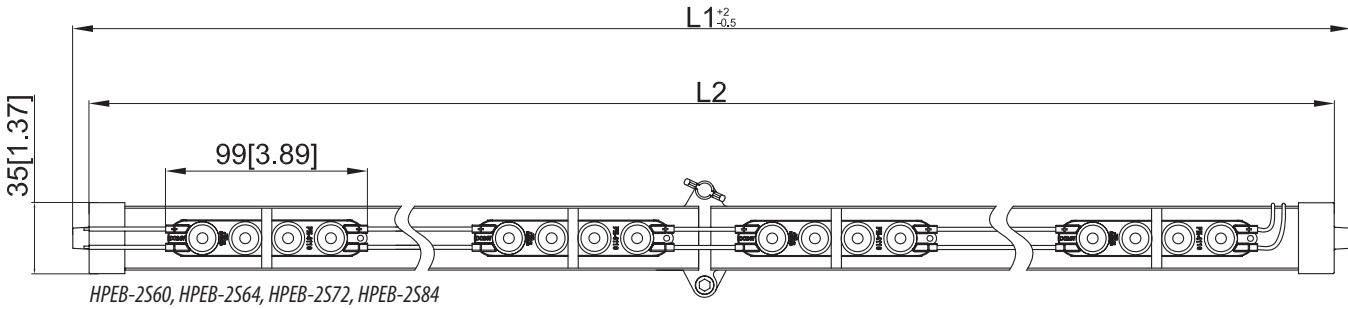
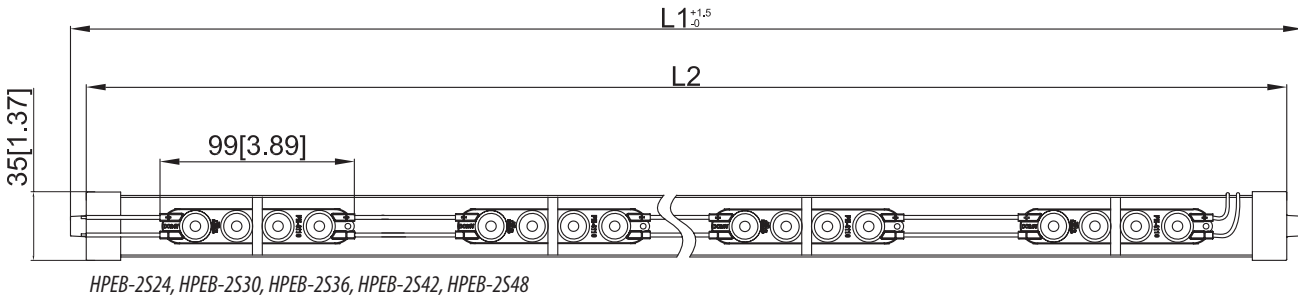


## Light Bar Dimensions



**Your Phoenix NRG bar is ready to go out of the package. Simply open the hinge and snap your bar into existing lamp sockets for retrofits, or screw directly into existing structure for new installs. NO PEELING AND STICKING OF MODULES REQUIRED!**

Item	LED Lamp Cross Reference	Module QTY Per Bar	Watts (w)	Lumens (lm)	Actual size (in)
<b>HPEB-2S24</b>	F24HO	6	6.6	1122	21"
<b>HPEB-2S30</b>	F30HO	8	8.8	1496	27"
<b>HPEB-2S36</b>	F36HO	10	11	1870	33.1"
<b>HPEB-2S42</b>	F42HO	12	13	2210	39.1"
<b>HPEB-2S48</b>	F48HO	14	15	2550	45"
<b>HPEB-2S60</b>	F60HO	18	20	3400	57"
<b>HPEB-2S64</b>	F64HO	20	22	3740	61.1"
<b>HPEB-2S72</b>	F72HO	22	24	4080	69"
<b>HPEB-2S84</b>	F84HO	26	29	4930	81"
<b>HPEB-2S96</b>	F96HO	30	33	5610	93"
<b>HPEB-2S108</b>	F108HO	34	37	6290	105"
<b>HPEB-2S117</b>	F117HO	36	40	6800	114"
<b>HPEB-2S120</b>	F120HO	38	42	7140	117"

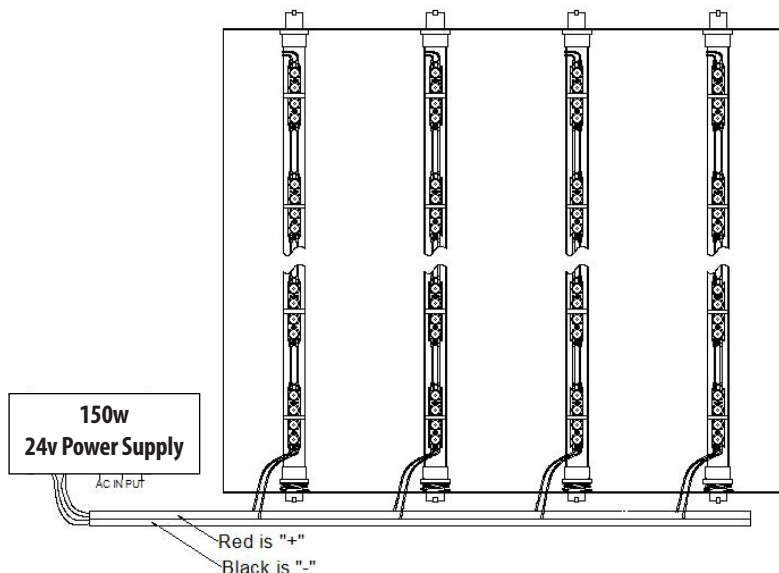
## Layout Guidelines

Double-sided light box depth (inch)	Item	Maximum space between bars (inch)	Comments
9	Phoenix NRG Bars by HanleyLED	12	Lightbox size: 47" x 67" Tested with 3/16" 7328 white acrylic
12		15	
18		20	
24		22	

## Power Supply Load Chart & Cascading (Phoenix NRG bars in a series) Information Guidelines

Item	Watts/Bar	Power Supplies (24v)			Cascading/Run Information
		60w H60W-PPS524V H60W-PPSEM24V	100w H100W-PPS524V H100W-PPSEM24V	150w H150W-PPS524V H150W-PPSEM24V	Max Series Wired
		Max Number of Phoenix NRG bars Per Power Supply			
HPEB-2S24 (F24H0)	6.6w	9	15	22	N/A
HPEB-2S30 (F30H0)	8.8w	6	11	17	N/A
HPEB-2S36 (F36H0)	11w	5	9	13	N/A
HPEB-2S42 (F42H0)	13w	4	7	11	N/A
HPEB-2S48 (F48H0)	15w	4	6	10	N/A
HPEB-2S60 (F60H0)	20w	3	5	7	N/A
HPEB-2S64 (F64H0)	22w	2	4	6	N/A
HPEB-2S72 (F72H0)	24w	2	4	6	N/A
HPEB-2S84 (F84H0)	29w	2	3	5	N/A
HPEB-2S96 (F96H0)	33w	1	3	4	N/A
HPEB-2S108 (F108H0)	37w	1	2	4	N/A
HPEB-2S117 (F117H0)	40w	1	2	3	N/A
HPEB-2S120 (F120H0)	42w	1	2	3	N/A

## 108" PhoenixNRG Bar Example (HPEB-2S108)



Please connect the '+' and '-' of the PhoenixNRG Bar to those of the power supply output correctly.