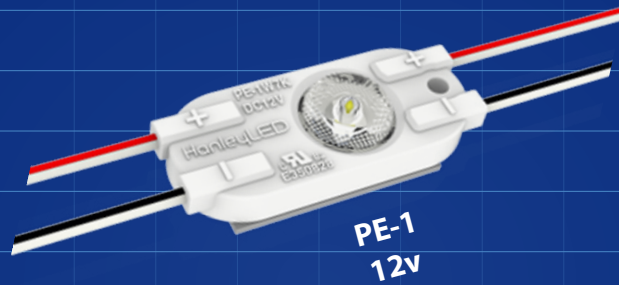


HanleyLED™



PE-1
12v

PHOXNRG I

LM79

LM80

L70:5+ YEARS

170
lm/W

IBC
identical
bin codes

H^e
HIGH
EFFICIENCY

UL
E 350828

CLASSIFIED
UL
E487794

warranty
7^P5^L

CC
constant
current

12v

PhxNRG II & IV
available in 12v & 24v

2"-5"
ideal depth

- Game Saving Solution, Made with High Efficiency Everything!
- Can replace .72w modules with only .45w
- 37% Less Power, producing 76 lumens/module
- 133 Modules Per 60W Premium Power Supply
- Compact design for shallow depths & serifs
- PhxNRG I is available in 12-volt only
- Guaranteed Life over 50,000 hours
- DIY Layout Tool at hanleyledsolutions.com
(Available in English, Spanish and French)
- See our PhxNRG II, III & IV modules for even more savings & versatility



HanleyLED

HanleyLED PE-1 Spec Sheet

PhoenixNRG Series

PE-1



LM79 LM80 L70:5+ YEARS

Features

- High Efficiency
- Can replace .72w modules with only .45w
- PhxNRG I available in 12v only
- See PhxNRG II & IV for our 24v options
- DIY Layout Tool at hanleyledsolutions.com
(Available in English, Spanish, and French)

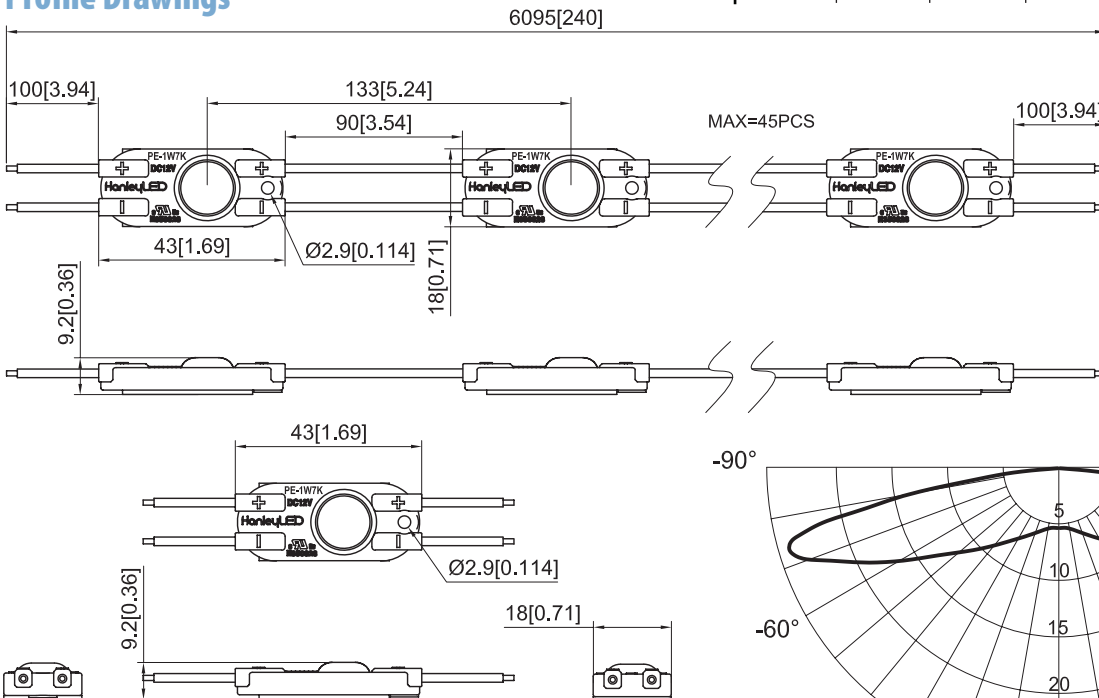
Specifications

Viewing Angle	170° Phoenix Wing Optics
Input Voltage	12vDC
Watts	.45w/mod (1w/ft.)
Luminous Efficacy	170 (lm/W)
Modules/Foot	2.29/ft. fully stretched
Protection Grade	IP65 water proof
Packaging	Anti-static bag, 90 modules (39 ft)/bag 8 bags/inner carton 16 bags/outer carton
Warranty	7 Year (Product) / 5 Year (Labor)
Operating Temp.	-40° ~ +60 °C / -40° ~ +140 °F
Storage Temp.	-40° ~ -70 °C / -40° ~ +158 °F
Cascade	45mods single-ended power feed 90mods double-ended power feed

Color	Part#	Color Temp	Lumens
Pure White	HLED-PE-1	7000K	76 lm/mod (174 lm/ft.)

Additional color temps available upon special order (MOQ's Apply)

Profile Drawings



Light Distribution

