

Kestrel Series

KS-2100



Features

- Most affordable, high quality module on the market
- Save power. Save time. Save money.
- Power loading made easy with 1 watt/mod
- 12 volt mod, 165 lm/mod!
- 180° Kestrel Optics
- HanleyPRO Layout Creator at hanleyledsolutions.com

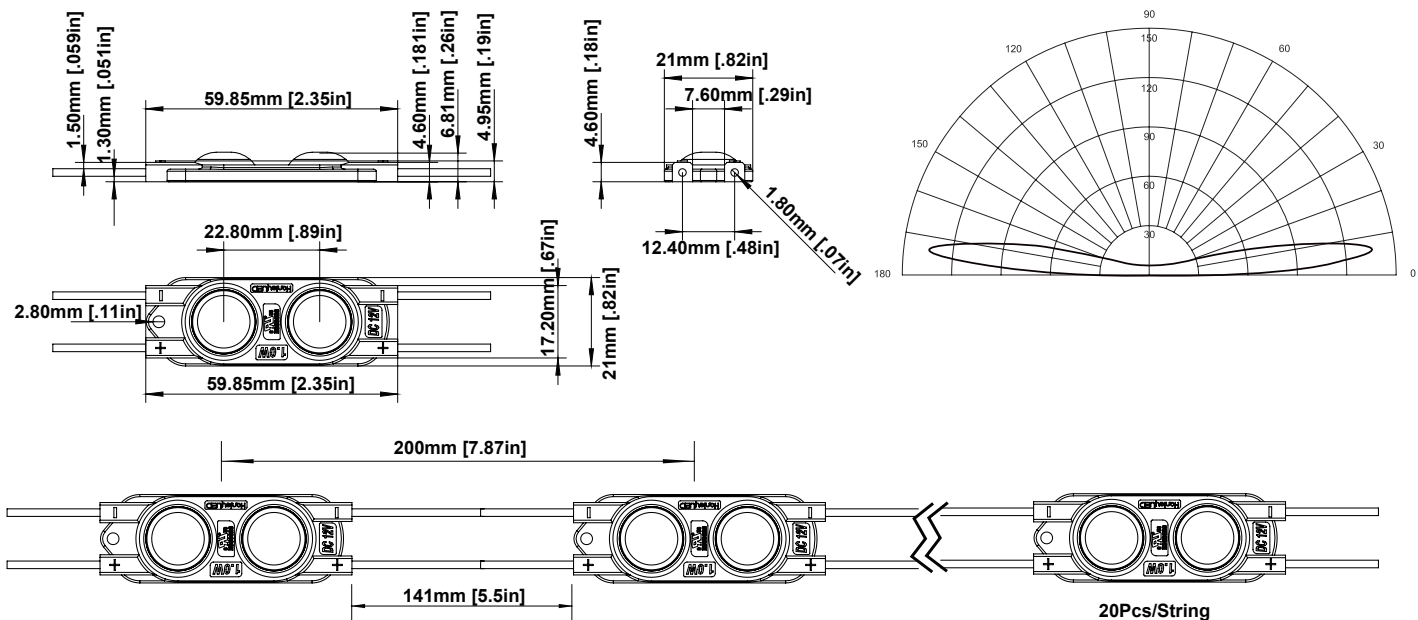
Specifications

Viewing Angle	180° Kestrel Optics
Input Voltage	12vDC
Watts	1w/mod (1.5w/ft.)
Luminous Efficacy	165 (lm/W)
Modules/Foot	1.5/ft. fully stretched
Protection Grade	IP65 water proof
Packaging	Anti-static bag, 80 modules (53 ft)/bag 10 bags/box
Warranty	10 Year (Product) / 5 Year (Labor)
Operating Temp.	-40° ~ +60 °C / -40° ~ +140 °F
Storage Temp.	-40° ~ -70 °C / -40° ~ +158 °F
Cascade	20mods single-ended power feed 40mods double-ended power feed

Color	Part#	Color Temp	Lumens
Pure White	HLED-KS2100W	7500K	165 lm/mod (247 lm/ft.)
Cool White	HLED-KS2100W10K	10000K	160 lm/mod (240 lm/ft.)

MAX POWER SUPPLY LOAD						
MODEL	35W	60W	100W	120W	150W	240W
KS-2100	35mods	60mods	100mods	120mods	150mods	240mods

Profile Drawings



Light Distribution