

LED Power Supply/Driver H60W-PPS5



Features

- High performance premium power supply
- IP68 - WATERPROOF - for use indoor or outdoor, dry, damp, or wet locations
- Variable input voltage with grounding wire: 100v - 277v
- Working temperature: -40°C - 60°C+
- OVP, OCP, SCP, OTP protection function
- Rating: Class 2, for use with LEDs and LED signage
- Tested and approved at 100% power load
- UL Retrofit Kit Classified

Warranty

| Product | Labor |
|---------|---|
| 7 years | 5 years labor if paired with HanleyLEDs 1 year labor with any other qualified LEDs |



Product Parameters

Output Characteristics

| | |
|-------------------------|--------|
| Rated Output Voltage | 12V |
| Rated Output Current | 5A |
| Rated Output Power | 60W |
| Output Voltage Accuracy | ±2.5% |
| Output ripple & noise | ≤150mV |

Input Characteristics

| | |
|-----------------------------|--------------------------|
| Input Voltage Range | 100 ~ 277Vac |
| Input Frequency Range | 50HZ ~ 60HZ |
| Input Current | .65A/115Vac .3A/277Vac |
| Inrush Current (cold start) | ≤ 50A (100-277Vac) |
| Efficiency | ≥ 86% |
| PF | ≥ 0.95 |
| Power Input | .8A Max |

Protective Characteristics

- Over-Current Protection
- Short-Circuit Protection
- Over-Voltage Protection
- Over-Temperature Protection

Environmental Characteristics

| | |
|---------------------|---|
| Working Temperature | -40° ~ +60°C |
| Working Humidity | 20 ~ 95% RH (non-condensing) |
| Storage Temperature | -40° ~ +80°C |
| Storage Humidity | 10 ~ 95% RH |
| IP Rating | IP68 |
| Vibration | 10 ~ 500HZ, 5G 30 minutes (for X, Y, Z each axis) |

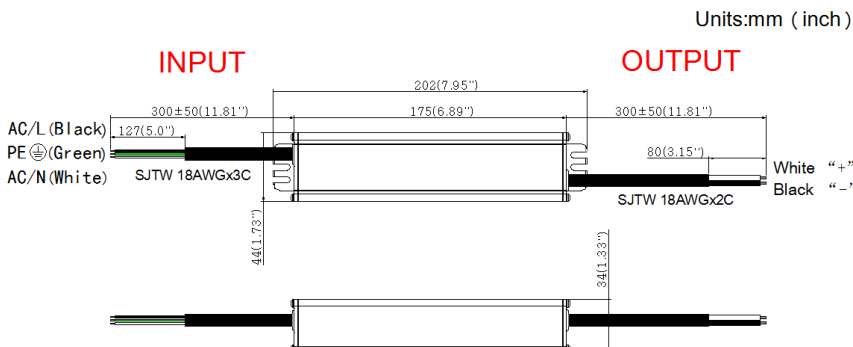
Safety and EMC

| | |
|------------------------------|---------------------------|
| Safety Rating | IP68, Class 2 |
| Dielectric Strength (Hi-Pot) | I/P-O/P 3.75KVac/10mA/3S |
| | I/P-Case 1.8KVac/10mA/3S |
| Insulation Resistance | 100M0hm Max/500Vdc/3S |
| Grounding Resistance | 100m0hm |
| EMC | FCC part 15classB EN55015 |

Other Characteristics

| | |
|--------|-----------------------------------|
| MTBF | >50,000Khrs. MIL-HDBK-217F (25°C) |
| Size | 175*44*34mm (L*W*H) |
| Weight | .45KG |

Profile Drawings

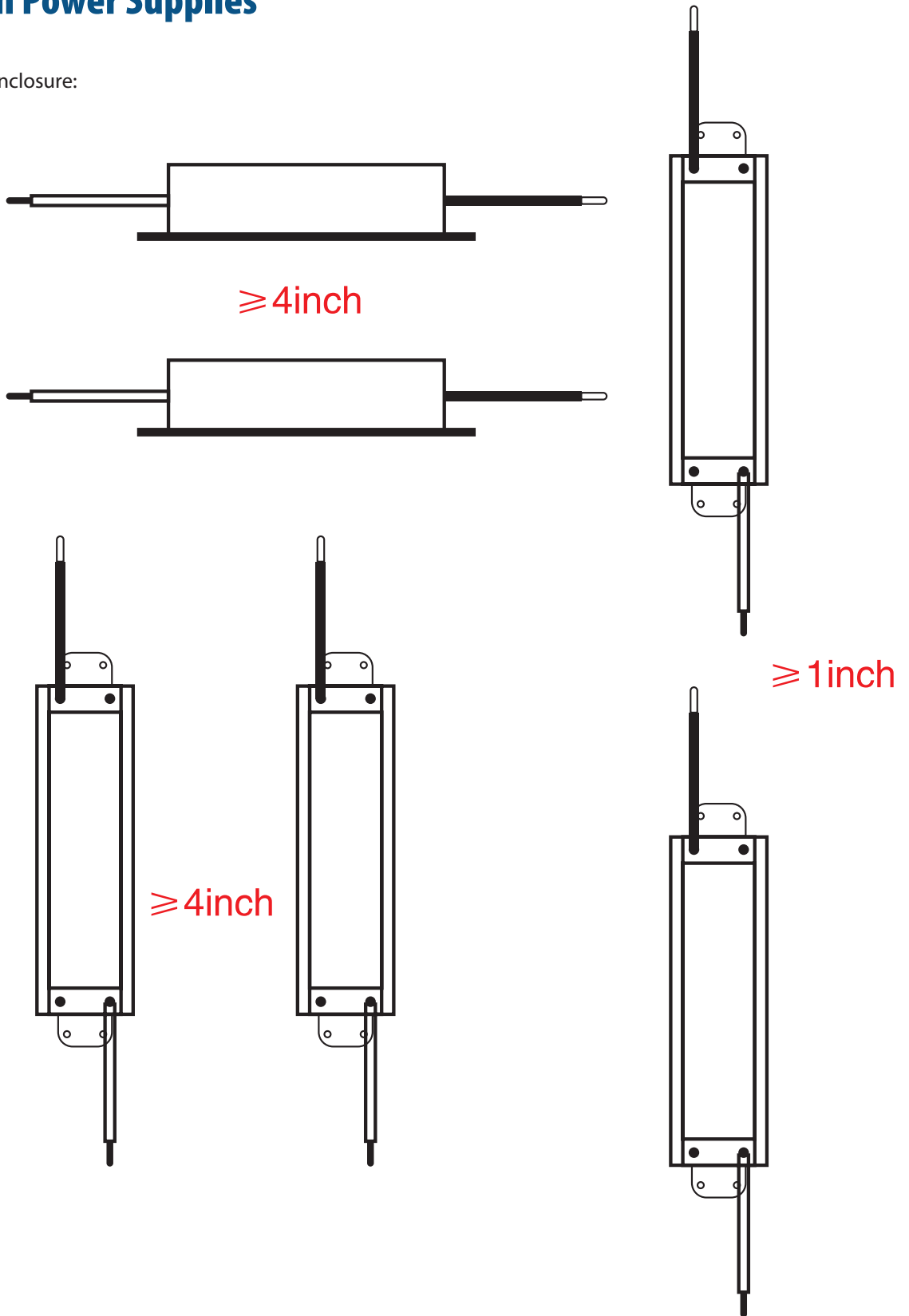


- Ensure that the ground wire is properly grounded and ensure it does not come into contact with the neutral wire.
- Ensure the power supply position has sufficient airflow. Operating temperature must be between -40°C to +60°C.
- Do not overload the power supply with multiple appliances.
- Power supply operates at high temperature. To avoid injury, do not touch while in use.
- Do not install with power connected or during an electrical disturbance.
- Do not attempt to install by yourself. Please contact the supplier with any questions.
- Please read and follow the instructions carefully before installing. Ensure all contact points are in good working order.
- Please pay attention to the environment, and check for any unsafe conditions.

Spacing Between Power Supplies

Recommended Drivers Per Enclosure:

- 60W = 2 max
- 100W = 1 max
- 96W = 1 max
- 120W = 1 max
- 150W = 1 max
- 180W = 1 max
- 192W = 1 max
- 240W = 1 max



UL 48 Standard requires spacing between LED power supplies shall be at least 1 inch from end to end and 4 inches from side to side. This is to ensure adequate heat dissipation. Greater spacing may be required when heat ventilation in the sign or power supply enclosure is not adequate.